

**Q8**

# The Audi Q8.

The Audi Q8 brings together the best of both worlds – the elegance of a four door luxury coupé and the practical talents of a large SUV. The generously dimensioned interior, state of the art operating and suspension technologies makes the Audi Q8 a composed companion for business and leisure.





## Engines and Pricing | Q8

Engine	Fuel type	Transmission	Power output (kW)	Torque (Nm)	Fuel consumption (l/100 km)			CO <sub>2</sub> emissions (g/km)	0 – 100 km/h (sec)	Top speed (km/h)	RRP*
					Urban	Extra urban	Combined				
45 TDI quattro	Diesel	tiptronic	183kW	600	9.2	7.0	7.8	207	7.0	220	R 1,725,200
55 TFSI quattro	Petrol	tiptronic	250kW	500	11.6	7.7	9.1	210	5.9	250	R 1,768,600

Fuel consumption and CO<sub>2</sub> data applies to the German Market. The specified values are determined in accordance with certain test procedures. The specifications do not refer to an individual vehicle but serve only as a basis for comparing the different types of vehicles. In addition, the consumption figures achieved during normal driving may differ from the test values, depending in particular on special equipment fitted, vehicle loading, personal driving style, road and traffic conditions, environmental factors and conditions of the car

\* RRP is inclusive of VAT, CO<sub>2</sub> emissions tax and an optional 5 year/100,000km Audi Freeway Plan



## Standard Equipment | Q8

### Wheels:

- ▶ 20 inch Cast alloy wheels, 5-arm style, 9J x 20
- ▶ Anti-theft wheel bolts and loose wheel warning
- ▶ Collapsible spare tyre
- ▶ Tyre pressure monitoring system

### Performance & suspension:

- ▶ Audi drive select
- ▶ Cruise control system incl. speed limiter
- ▶ Hold assist
- ▶ quattro (with self-locking centre differential)
- ▶ Regenerative braking
- ▶ Mild hybrid chassis (petrol only)
- ▶ Standard suspension with damper controls

### Audio & communication:

- ▶ Bang & Olufsen sound system with 3D sound
- ▶ Bluetooth interface
- ▶ MMI Navigation plus with MMI touch
- ▶ Audi Virtual Cockpit Plus
- ▶ Audi smartphone interface
- ▶ Audi connect Car2X services

(Includes safety and service features in the event of damage, breakdown or minor accidents. Enables an emergency call or roadside assistance directly from module located in the roof of the vehicle in order to access emergency services support. Also includes security and convenience services such as remote functions (model-dependent) that network the vehicle with a smartphone through the myAudi app. Features include car finder, remote lock/unlock, geo-fencing, speed alert and theft/alarm notification. Applicable to MY21 vehicles onwards. Services only supported in South Africa.)

- ▶ Audi connect infotainment services

(Includes live and integrated Google Earth navigation, traffic information, points of interests and weather updates. Applicable to MY21 vehicles onwards. Services only supported in South Africa.)

### Lighting:

- ▶ Headlamp washer system
- ▶ Headlight range control
- ▶ HD Matrix LED headlamps with dynamic turn signal
- ▶ LED rear combination lamps with dynamic turn signal and animation



## Standard Equipment continued | Q8

### Exterior equipment:

- ▶ Anti-theft alarm system
- ▶ Power-adjustable, heated and electrically folding exterior mirrors, incl. lowering function for passenger side
- ▶ Exterior mirror housings painted in body colour
- ▶ High-Gloss styling package
- ▶ Roof rails in anodized aluminum
- ▶ Roof spoiler including centre high-mounted stop lamp
- ▶ Scuff plates with aluminium inserts in front and rear, illuminated, with "S" logo in front
- ▶ Single frame mask in body colour
- ▶ Body coloured bumpers in full paint finish
- ▶ Panoramic glass sunroof

### Interior equipment:

- ▶ 4-way lumbar support for the front seats
- ▶ Contour/ambient lighting package
- ▶ Auto-dimming interior rearview mirror, frameless
- ▶ Comfort centre armrest in front
- ▶ Floor mats in front and rear
- ▶ ISOFIX child seat anchors and top tether including front passenger seat
- ▶ Leather steering wheel, 3-spoke, with multi-function plus and shift paddles
- ▶ Cricket leather upholstery
- ▶ Luggage compartment cover
- ▶ Luggage compartment lid, electrically opening and closing
- ▶ Parking aid Plus with 360° display (surround view cameras)
- ▶ Stainless steel loading edge protection
- ▶ Power-adjustable front seats incl. memory for driver seat

### Interior equipment (cont.):

- ▶ Side airbags in front and curtain airbag system
- ▶ Split-folding rear seat backrest
- ▶ Standard seats in front
- ▶ Rear seat bench plus
- ▶ Operating buttons in black glass look with haptic feedback including extended aluminium look
- ▶ Seat heaters in front
- ▶ Audi Pre-sense basic
- ▶ Comfort automatic air-conditioning, 4 zone
- ▶ Comfort key with sensor controlled luggage compartment release
- ▶ Decorative inserts in Silver Grey Diamond Paint
- ▶ First aid kit, warning triangle, tool kit and car jack
- ▶ Headlining in black fabric
- ▶ Fuel tank (85l petrol, 75l diesel)

## Packages | Q8

### S line Black Package

- ▶ S line exterior styling package
- ▶ High gloss black package
- ▶ Exterior mirrors in high gloss black
- ▶ Black roof rails
- ▶ Adaptive air suspension
- ▶ Brake callipers in red
- ▶ 22 inch 5V spoke star style in gloss anthracite black
















### S line Platinum Package

- ▶ S line exterior styling package
- ▶ Single frame mask in Platinum Grey
- ▶ Adaptive air suspension
- ▶ Brake callipers in red
- ▶ 22 inch Audi Sport 5-double spoke module style





Paint   Q8			Q8
3V3V		Tamarind Brown Metallic	R 4,620
5Q5Q		Vicuna Beige Metallic	R 4,620
Y4Y4		Dragon Orange Metallic	R 4,620
F0F0		Satellite Silver Metallic	R 4,620
D6D6		Waitomo Blue Metallic	R 4,620
2Y2Y		Glacier White Metallic	R 4,620
2D2D		Navarra Blue Metallic	R 4,620
0E0E		Myth Black Metallic	R 4,620
3M3M		Samurai Grey Metallic	R 4,620
6Y6Y		Daytona Grey Pearlescent	R 18,370
0Q0Q		Carrara White	R 4,620
T7T7		Matador Red Metallic	R 4,620
Q0Q0		Individual paint finish, Audi exclusive	R 83,000





## Wheels & tyres | Q8

		55 TFSI quattro	45 TDI quattro
CZ4	21" Cast alloy wheels, 5-arm star style, Contrast Grey, partly polished	R 37,900	R 37,900
C7F	21" Cast alloy wheels, 5-V-spoke style (S style), Contrast Grey, partly polished	R 35,791	R 35,791
U01	21" Cast alloy wheels, 5-W-spoke style, Contrast Grey, partly polished	R 41,309	R 41,309
53W	22" Audi Sport cast alloy wheels, 5-double spoke module style with inserts in Matte Structure Grey	R 17,916	R 17,916
CX2	22" Audi Sport cast alloy wheels, 5-V-spoke star style, Glossy Anthracite Black, diamond-turned	R 35,791	R 35,791
U04	22" Forged and milled alloy wheels, 5-Y-spoke style, Contrast Grey, partly polished	R 41,309	R 41,309
7K3	Tyre pressure monitoring system advanced	R 4,470	R 4,470







## Optional equipment | Q8

<u>Suspension, brakes &amp; towing:</u>		55 TFSI quattro	45 TDI quattro
1D3	<b>Trailer hitch</b> Forces adaptive air suspension (1BK/2MA)	R 17,070	R 17,070
1D9	<b>Trailer hitch including trailer maneuvering system</b> The trailer stabilization takes place while driving via the electronic stabilization control (ESC). An additional integrated swiveling system socket enables the continuous operation of electrical devices in the trailer or caravan even while driving. The towing device and the system socket can be swiveled out of sight behind the bumper apron. The trailer assistant supports the driver when using the vehicle as a towing vehicle when reversing. A Trailer can be steered automatically with the trailer assistant. The driver controls the direction conveniently using touch controls on the MMI touch response display.	R 25,000	R 25,000
1BK	<b>Adaptive air suspension</b> Electronically controlled air suspension with continuously adaptive damping system for all 4 wheels which regulates ride height and damping automatically. Additional allroad and lift/off-road modes can be selected via Audi Drive Select in the MMI system.	R 14,870	R 14,870
2MA	<b>Adaptive air suspension, sport</b> Electronically controlled air suspension with continuously adaptive damping system for all 4 wheels which regulates ride height and damping automatically. Vehicle height is 15mm lower than Adaptive air suspension.	R 19,560	R 19,560
0N5	<b>All-wheel steering</b> Improves the driving dynamics and the driving comfort as a result of additional steering ability of the rear axle. At lower speeds, the rear axle self-steers, oppositely to the steering angle of the front axle this results in higher agility, a smaller steering angle making manoeuvring easier, especially in tight bends and when parking. At higher speeds, steering in the same direction improves the responsiveness as well as the driving dynamics, cornering and vehicle stability. All-wheel steering supports the parking and manoeuvring processes of Park assist and of Trailer assist. Reduces turning circle from approx. 12.4m to 11.4m.	R 20,080	R 20,080
PC3	<b>Brake calipers painted in red</b>	R 6,240	R 6,240



## Packages | Q8

<b>Equipment packages and exterior styling:</b>		<b>55 TFSI quattro</b>	<b>45 TDI quattro</b>
PQD	<b>S line exterior package</b> Reinforced bumpers in the front and rear, S line roof spoiler, Door sill trims including S line logo, additional stainless steel loading sill, S line emblem on the front wings. (Requires Singleframe mask in Platinum Grey (FY4) or Black styling package (4ZD/FY2) at additional cost)	R 32,240	R 32,240
WQS	<b>S line sports package</b> S line sports package focusses on the interior of the vehicle and includes the following: <ul style="list-style-type: none"> <li>• 4-way lumbar support for front seats</li> <li>• Adaptive air suspension sport</li> <li>• Decorative inserts in Matte Brushed Aluminium</li> <li>• Headlining in black</li> <li>• Pedals and footrest in stainless steel</li> <li>• S line logos on the exterior</li> <li>• Scuff plates with aluminium inserts in front and rear, illuminated with “S” logo</li> <li>• Sport seats in front</li> <li>• Stainless steel load edge protection</li> </ul> (Requires upholstery N0Q or N1V or N7K, and an upgrade to a 21” or 22” wheel.)	R 45,860	R 45,860
4ZD	<b>Black styling package</b> Front radiator grille frame, styling accents on front bumper in Titanium black and side window trims in high-gloss black.	R12,400	R12,400
PAH	<b>Black styling package including singleframe mask in black</b> Front radiator grille frame, styling accents on front bumper in Titanium black and side window trims in high-gloss black. In addition this package also includes the Single frame mask in black.	R 11,600	R 11,600
4ZP	<b>Black Appearance package Plus</b> Audi rings at the front and rear and Q8 lettering in the radiator grille and on the boot lid in gloss black.	R16,000	R16,000



## Packages cont. | Q8

<u>Equipment packages and exterior styling:</u>		55 TFSI quattro	45 TDI quattro
WDP	<b>S line Black Package</b> The S line Black Package focusses on exterior styling on the Audi Q8 <ul style="list-style-type: none"> <li>• S line exterior styling package</li> <li>• High gloss black package</li> <li>• Exterior mirrors in high gloss black</li> <li>• Black roof rails</li> <li>• Adaptive air suspension</li> <li>• Brake callipers in red</li> <li>• 22 inch 5V spoke star style in gloss anthracite black</li> </ul>	R 85,890	R 85,890
WFA	<b>S line Platinum Package</b> <ul style="list-style-type: none"> <li>• S line exterior styling package</li> <li>• Single frame mask in Platinum Grey</li> <li>• Adaptive air suspension</li> <li>• Brake calipers in red</li> <li>• 22 inch Audi Sport 5 – double spoke module style</li> </ul>	R 80,840	R 80,840
FY4	<b>Single frame mask in Black</b>	No cost	No cost
FY2	<b>Single frame mask in Platinum Grey</b>	No cost	No cost



## Optional equipment | Q8

<b>Exterior equipment:</b>		<b>55TFSI quattro</b>	<b>45 TDI quattro</b>
6FJ	<b>Exterior mirror housings in Black</b> Requires Gloss Black styling package (PAH)	R 1,620	R 1,620
3S2	<b>Black roof rails</b>	R 6,270	R 6,270
3S1	<b>Roof rails in aluminium</b>	R 6,270	R 6,270
2Z7	<b>Removal of engine designation</b>	No cost	No cost
<b>Interior equipment:</b>		<b>55 TFSI quattro</b>	<b>45 TDI quattro</b>
2PF	<b>Sports contour leather-wrapped steering wheel with multifunction Plus, 3-spoke, shift paddles, flat-bottomed</b> Not available in combination with Adaptive cruise control (8T5) for SQ8	R 2,040	R 2,040
5TG	<b>Decorative inserts in Matte Brushed Aluminium</b>	R 7,060	R 7,060
6SJ	<b>Luggage compartment mat</b>	R 1,860	R 1,860
9TF	<b>Door entrance LED projector lights</b>	R 3,750	R 3,750
GZ2	<b>Power latching for doors</b>	R 10,020	R 10,020



## Optional equipment | Q8

<u>Seats:</u>		55 TFSI quattro	45 TDI quattro
Q4Q	<b>S sports seats Plus in front</b> <ul style="list-style-type: none"> <li>Diamond pattern on seat cushion and backrest</li> <li>S diamond embossing</li> <li>Integrated head restraint</li> <li>Contoured shoulder/bolster sections</li> </ul> (Requires Valcona leather with diamond stitching (NOQ), S line exterior package (PQD), Black styling package (PAH) or S line Platinum Package or Singleframe mask in Platinum Grey (FY2) at additional cost)	R 10,390	R 10,390
4A4	<b>Seat heaters in front and rear</b>	R 6,270	R 6,270
4D8	<b>Seat ventilation and massage feature in front</b> (Requires Valcona leather with diamond stitching (NOQ) or Valcona/Cricket leather (NOK) with individual contour seats (PS8) at additional cost)	R 24,260	R 24,260
PS8	<b>Individual contour seats in front</b> (Requires seat ventilation and massage seats (4D8) at additional cost)	R 29,740	R 29,740
5ZC	<b>Variable head restraints for front seats</b>	R 2,360	R 2,360
<b>Seat upholstery, inlays &amp; headlining:</b>			
N7K	<b>Alcantara S/leather combination</b> Requires S line exterior package (PQD) or S line Sports package (WQS) as well as styling packages black or Platinum all at additional cost	No cost	No cost
NOQ	<b>Valcona leather with diamond stitching</b> S line exterior package (PQD) or S line Sports Package (WQS), Black styling package (PAH) or S line Platinum Package or Singleframe mask in Platinum Grey (FY2) at additional cost	R 10,390	R 10,390
N1V	<b>Valcona leather with embossed S logo in the front seat backrests</b> S line exterior package (PQD) or S line Sports Package (WQS), Black styling package (PAH) or S line Platinum Package or Singleframe mask in Platinum Grey (FY2) at additional cost	No cost	No cost
NOK	<b>Valcona leather/Cricket leather combination, perforated</b> Requires individual contour seats (PS8) and seat ventilation/massage seats (4D8) at additional cost	No cost	No cost
7HQ	<b>Upper part of dashboard with contrast stitching and lower part of dashboard in leatherette</b> The upper part of instrument panel with contrasting stitching as well as the door armrests and centre console trim in artificial leather add striking accents in the interior.	R 11,200	R 11,200



## Optional equipment | Q8

<u>Infotainment, radio &amp; telephone systems:</u>		55 TFSI quattro	45 TDI quattro
8RF	<b>Bang &amp; Olufsen <u>Advanced</u> Sound System with 3D sound</b> Features 3D sound at front, additional loudspeakers in the interior, together with optimised overall system tuning, significantly enhance the audio experience. 23 loudspeakers (including subwoofer and centre speaker) 1930 watts Privacy loudspeaker boxes (suppress sound propagation outside the vehicle, e.g. when on the phone) Extendible tweeters at front with acoustic lenses Illuminated loudspeaker trims	R 81,390	R 81,390
UE8	<b>USB ports with charging function in rear</b>	R3,000	R3,000
9ZE + GB1	<b>Audi phone box with wireless charging</b> Offers wireless charging (with Qi-enabled compatible phones) and creates an additional Bluetooth interface for a second device, allowing 2 mobile phones to be connected to the vehicle simultaneously.	R 6,390	R 6,390



## Optional equipment | Q8

<u>Assistance systems:</u>		55 TFSI quattro	45 TDI quattro
8T5	<b>Adaptive Cruise Control</b> Includes: Speed limiter Efficiency assist Swerve and Turn assist	R 21,630	R 21,630
6K8	<b>Audi pre sense front</b> If an imminent collision with vehicles, pedestrians or cyclists is detected, a visual and acoustic warning sounds and the brake is jolted briefly. Shorter braking distance possible with driver reaction as brake system is preconditioned. If driver does not respond adequately, the system applies emergency braking	R 6,150	R 6,150
PCH	<b>Lane change assist incl. Audi pre sense rear</b> Monitors the area behind and to the right or left of the vehicle and uses an LED indicator in the exterior mirror to warn the driver of other vehicles in the blind spot or vehicles rapidly approaching the rear. Pre sense rear system monitors the vehicles following behind by means of radar sensors. If a following vehicle approaches and is likely to collide, it responds in two phases, by means of a visual and acoustic warning as well as initiating of pre sense actions (tensioning the safety belt, closing windows). If a collision is unavoidable, the front seat belts are also tightened electrically	R 9,210	R 9,210
6I5	<b>Lane departure warning</b> The system records the road markings via a camera and helps maintain the vehicle in the lane by means of corrective steering intervention. The system works from approximately 65km/h	R 5,380	R 5,380
6I6	<b>Adaptive cruise assist with emergency assist</b> On multi-lane motorways and urban roads, the system can help the vehicle maintain a steady position behind the vehicle ahead and stay in lane. This can noticeably improve driving comfort, e.g. on long journeys and in heavy city traffic. The integrated emergency assist can warn the driver of critical situations and, if necessary, initiate safety measures, such as optimisation of the seat position, and place an emergency call. Requires Adaptive cruise control (8T5) at additional cost.	R 7,400	R 7,400
KS1	<b>Head-up display</b> Projects warning messages or driving-related information from assistance systems and the navigation system (if fitted) in full colour onto the windscreen in the driver's direct field of vision, giving the driver faster access to information. Display is adjustable in height.	R 23,770	R 23,770
9R1	<b>Night vision assistant</b> Assists the driver when driving at night by displaying a thermal image of the surroundings. People and large animals are highlighted in yellow in the Audi Virtual Cockpit (if fitted). If the system determines from their position that there is a potential risk, the marking changes to red, a warning triangle appears and a warning tone is emitted. Warnings can also be shown in the head-up display, if ordered. In conjunction with LED headlights (standard) or Audi Matrix LED headlights (PXC), the highlighted person is also illuminated with 3 successive brief flashes of the headlights.	R 35,920	R 35,920
4X4	<b>Side airbags in the rear</b>	R 6,300	R 6,300





# Important information

## Welcome to Audi

### **Audi Freeway Plan | Motoring Peace of Mind**

There can be no better motoring peace of mind than knowing that your car will be serviced, maintained and repaired, should this prove necessary, at no cost to you. Thanks to Audi Freeway Plan, that peace of mind could be yours.

The Audi Freeway Plan absorbs all maintenance and service costs, with the exception of between-service top-up fluids, fuel, cracked or broken glass, and tyres.

Recommended retail pricing is inclusive of an optional 5 year/100,000 km Audi Freeway Plan on all new Audi vehicles.

Top-up options to extend maintenance are available at extremely competitive rates. Audi has specially designed the Audi Freeway Plan for easy operation on the part of the owner. Making an appointment with any one of our approved Audi Servicing Dealers can effect regular servicing and maintenance as well as repairs (with the exception of accident damage).

All work is handled by the relevant service department, which will liaise directly with the Audi Freeway Plan Maintenance Unit. No extra effort or payment is required from the Audi owner. The Audi Freeway Plan is registered with the vehicle and as such is transferable to the new owner should the car be sold before the Audi Freeway Plan has expired, giving added resale value. The Audi Freeway Plan is available in addition to Audi's standard one-year/unlimited distance vehicle warranty. The Audi Freeway Plan is subject to certain exclusions, covers any repairs necessary after the expiry of the standard warranty.

### **Audi Assist | Emergency and Personal Assistance**

Audi Assist is a programme whereby Audi of South Africa and its Dealer Network pledge to provide you with peace of mind motoring by providing the infrastructure to support a countrywide emergency service 24 hours a day, every day.

The programme is known as Audi Assist and operates within the borders of South Africa as well as Namibia and Botswana. The objective of the programme is to ensure on the spot roadside assistance offered by a fully equipped and trained Audi technician.

The primary focus is to get you mobile in your own vehicle. Where a roadside repair cannot be effected and the vehicle needs to be towed to the nearest Audi dealer, you and the occupants of the vehicle will be transported to a place of safety in the dealer's roadside assistance vehicle.

Contact details within South Africa:  
086 043 4838

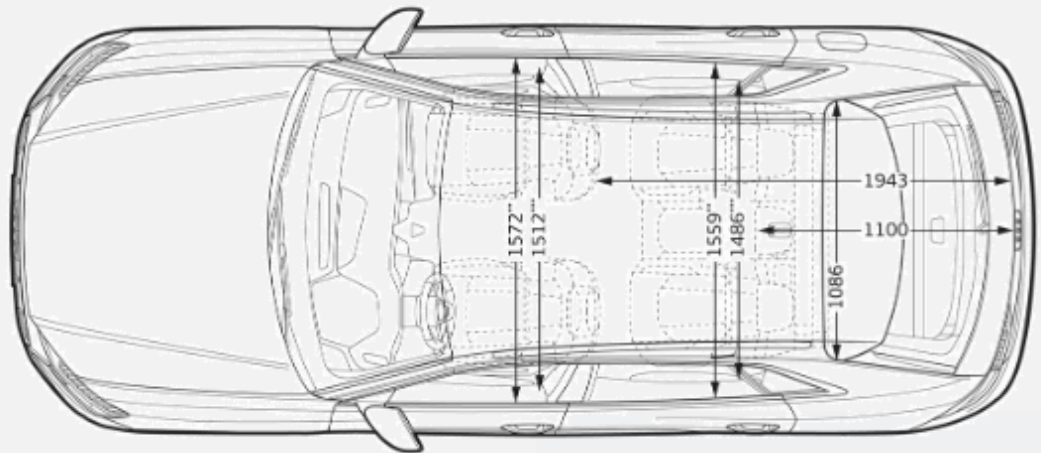
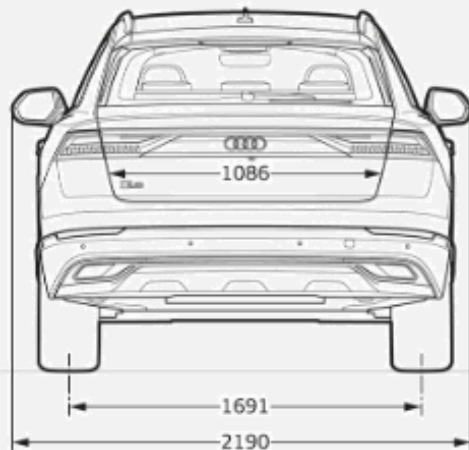
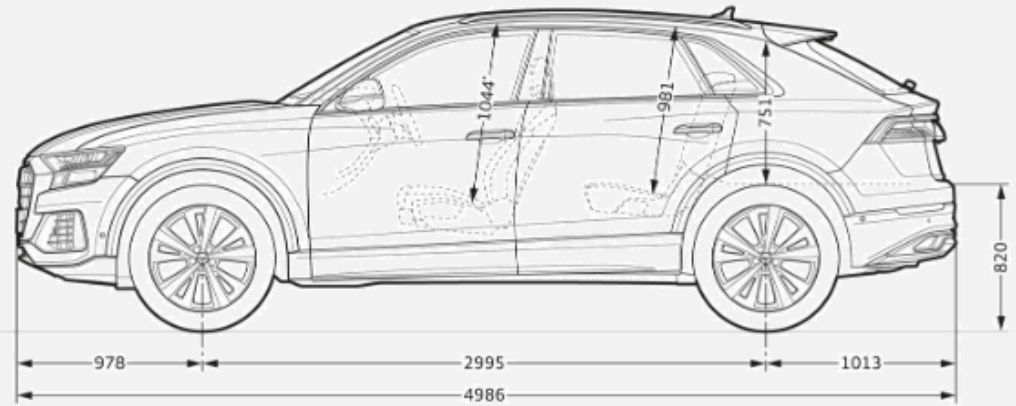
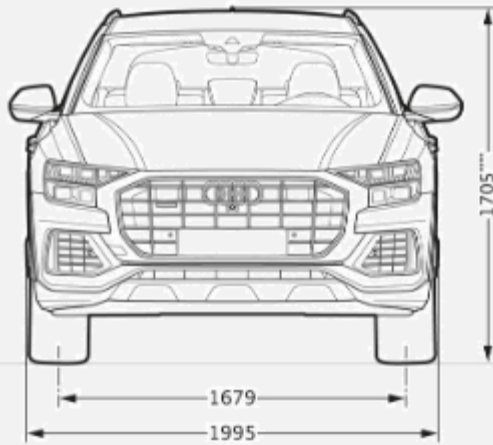
Contact details for neighbouring states:  
+27 41 994 5616

24 hours a day, 7 days a week  
Vehicle model and VIN number will be required.



## Q8 dimensions

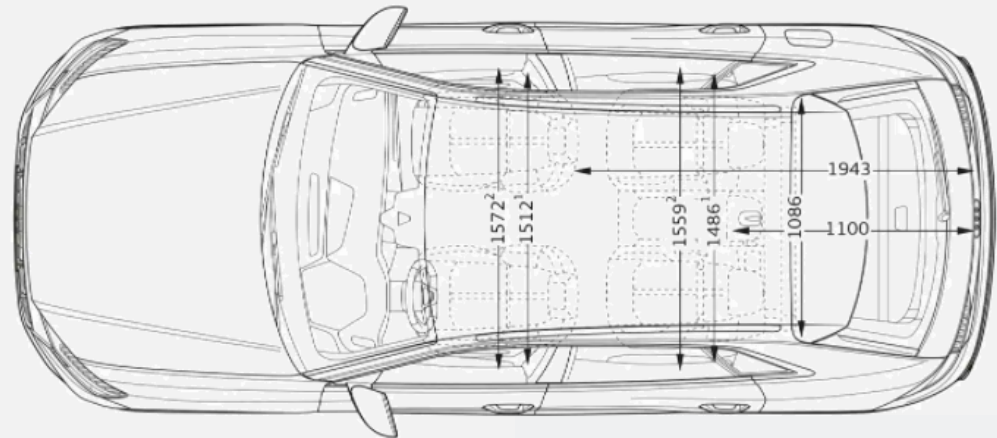
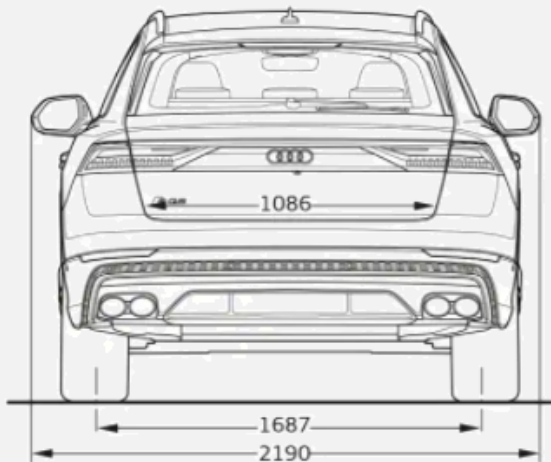
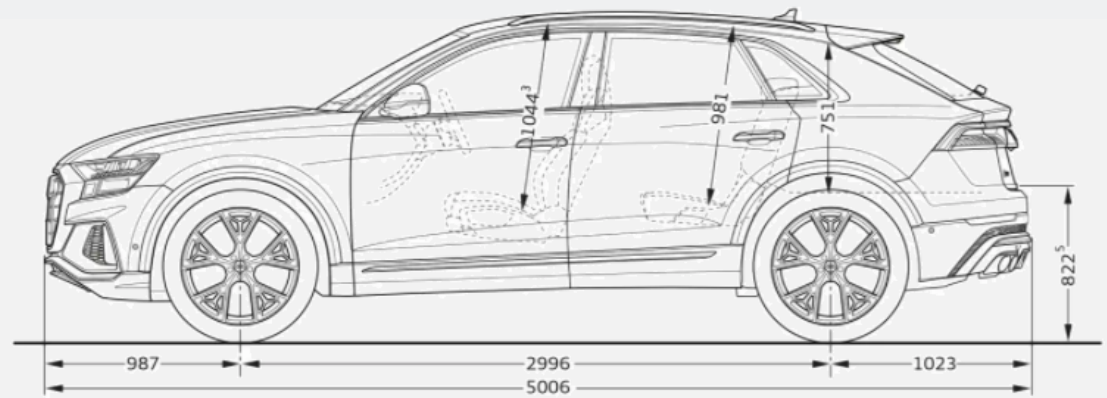
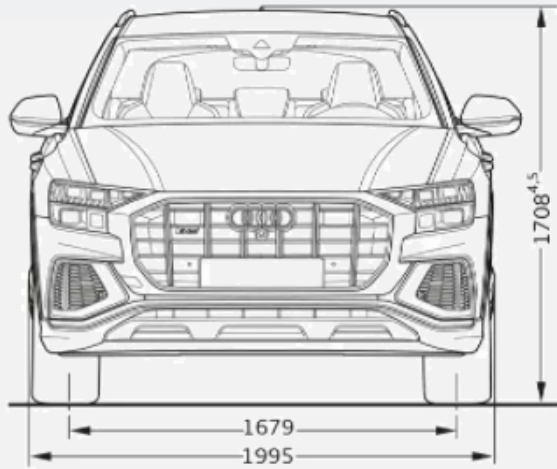
All the measurements you need





## SQ8 dimensions

All the measurements you need





# Q8



### Information in this pricelist

We've done all we can to make the prices, specifications, technical details and all other information you see in this pricelist accurate at the time of publication. We reserve the right to change prices or specification at any time. All prices shown include VAT, which is currently charged at 15%. Recommended retail pricing is not binding on the dealer and is inclusive of an optional 5 year/100,000km Audi Freeway Plan.

Please check model availability and full specification details with your Audi Dealership prior to ordering. Neither Audi South Africa nor Audi Dealers can accept contractual responsibility for your reliance on the information contained in this pricelist. Performance figures and specifications relating to Audi vehicles are indicative only and performance cannot be guaranteed. Performance figures and specifications may be updated from time to time, when new test results or other information become available. Your local Audi Dealership can always provide you with the most up-to-date information available. Written and visual depictions (including photographs) of vehicles, are for illustrative purposes only and should not be relied upon. Some illustrations may not accurately reflect South African specifications (including paint and trim colours) and may not be available. If in doubt, always contact your local Audi Dealership.